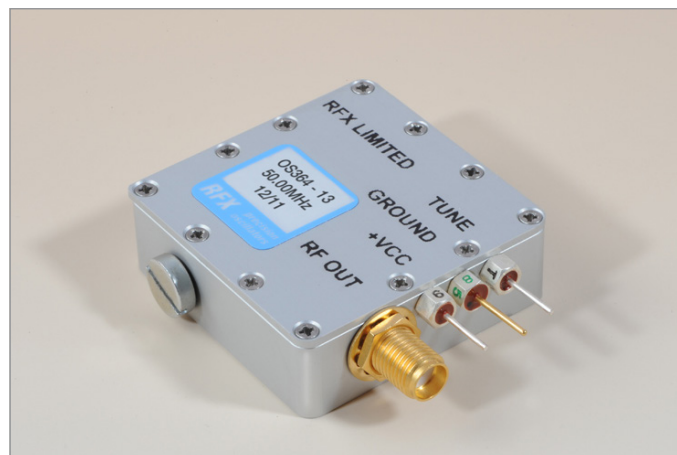




OCXO OS364 - 13

- low phase noise frequency standard, frequency range 1MHz to 1GHz
- (-40 +85)°C operating temperature
- sine wave output, 0dBm into 50Ω, harmonics -25dBc
- Hermetically sealed case, 13mm height
- h.f. communications equipment, system synchronisation, precision reference



Generic specification:

Stability:

over temperature from ±0.01ppm(-40 +85)°C, custom specified

against V_{cc} change ±0.001ppm max., V_{cc} ±5%

against load change ±0.001ppm max., load ±10%

ageing short term ±0.0003ppm max./day after 30 days continuous operation

ageing long term from ±0.12ppm max./year after 30 days continuous operation

short term stability ±0.0005ppm max. 1 sec

electronic trim ±1.0ppm typical

+2.5Vd.c. ±2.5V, 10% linearity

Output:

sine wave, +0dBm min. into 50Ω, harmonics -25dBc

Power supplies:

supply voltage +12Vd.c. ±5%

start up current 350mA max.

quiescent current 150mA max. at +25°C

warm up time 5 minutes max. to within ±0.1ppm of nominal

Phase noise:

single sideband, 1Hz bandwidth

-135dBc/Hz, f_o +10Hz

-145dBc/Hz, f_o +100Hz

-155dBc/Hz, f_o +1kHz

-170dBc/Hz, f_o +10kHz

Jitter:

<1ps

Temperature:

operating range (-40 +85)°C

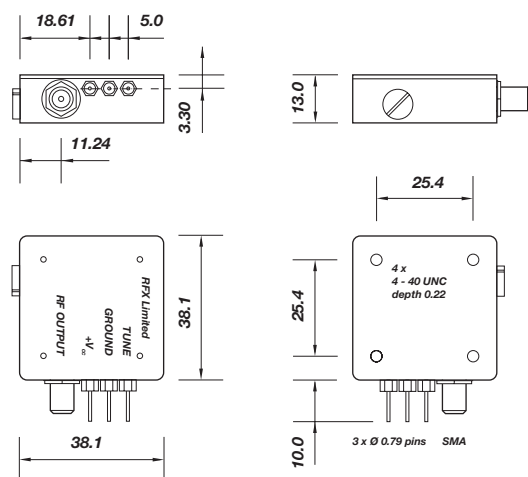
storage range (-55 +125)°C

Insulation resistance: 500MΩ min., 100Vd.c.

Marking:

part number, frequency, date code, serial number

Dimensions(mm):



Test circuit:

