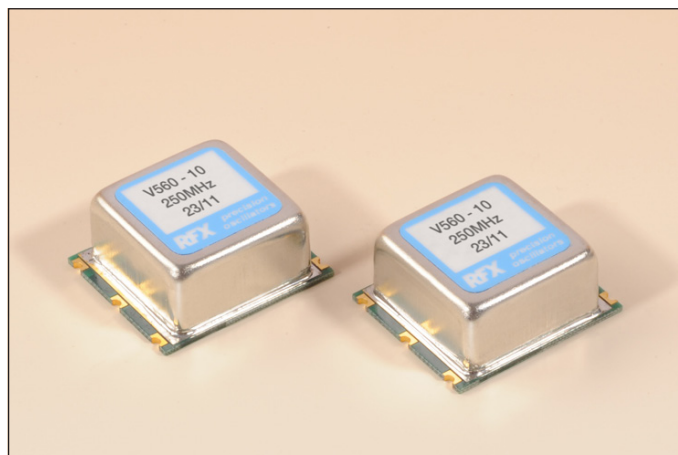




VCXO V560 - 10

- **Hermetically sealed smd package, 10.50mm height.**
- **Very wide frequency range, large pulling range with good linearity and low ageing.**
- **Sine wave or CMOS output.**
- **Standard and custom specifications over the frequency range 10MHz to 1GHz.**



Standard options:

frequency range:	_____ 10MHz ~ 1GHz _____		
accuracy codes:	_____ (A) _____	_____ (B) _____	
temperature tolerance	±10ppm	±20ppm	
temperature range	(0 +50)°C	(-20 +70)°C	
output codes:	_____ (S) _____	_____ (L) _____	
output	sine wave, 0dBm into 50Ω harmonics -30dBc max.	CMOS 15pF, 45% ~ 55% <2ns max. rise and fall	
supply voltage codes:	_____ (V1) _____	_____ (V2) _____	_____ (V3) _____
supply voltage	+3.3Vd.c.	+5.0Vd.c.	+12.0Vd.c.
control voltage V _c	(+1.5 ±1.5)Vd.c.	(+2.25 ±2.25)Vd.c.	(+2.25 ±2.25)Vd.c.
voltage control range	±100ppm max.*	±200ppm max.*	±300ppm max.*
	*control range is frequency dependent		

Generic specification:

stability:		
ageing long term	±2ppm max. first year	
control range linearity	±10%	
control voltage input impedance	100KΩ min.	
power supplies:		
supply current	50mA max. frequency dependent	
insulation resistance	500MegΩ min., 100Vd.c.	
temperature:		
operating range	(0 +50)°C	(-20 +70)°C
storage range	(-40 +125)°C	(-40 +125)°C

Environmental conditions:

mechanical shock: MIL standard 202F, method 213, condition J
thermal shock: MIL standard 202F, method 107, condition A
vibration: MIL standard 202F, method 204, condition B
solderability: 5 seconds max. at +230°C, 3 seconds max. at +350°C

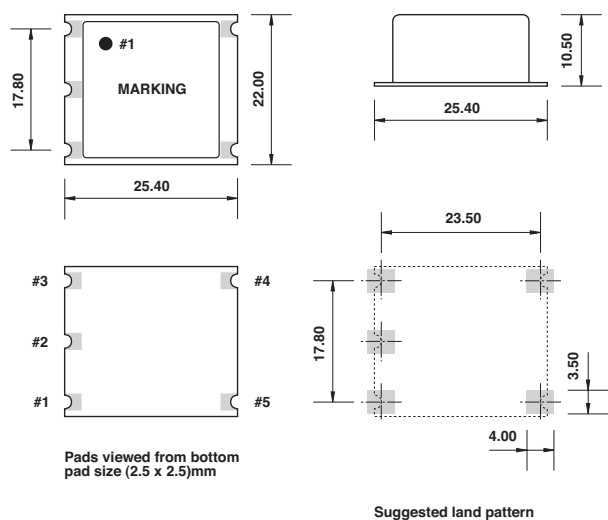
Marking: part number and frequency on high temperature metalised polyester label

Ordering code:

standard specification: V560-10 A S V2 - 155.52M
V560-10 = series generic code
A temp. tol. and temp. range code: A = $\pm 10\text{ppm}(0 + 50)^\circ\text{C}$
S output code: S = sine wave output, 0dBm into 50Ω
V2 supply voltage code: V2 = +5Vd.c. supply
155.52M output frequency: 155.52M = 155.52MHz

Custom specification: part number issued with custom specification and drawing

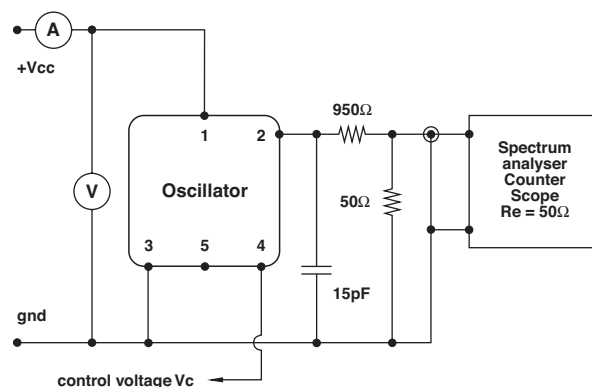
Dimensions(mm):



Pin connections:

1 +V_{cc}
 # 2 output
 # 3 ground/case
 # 4 control voltage V_c
 # 5 n.c.

Test circuit, CMOS load:



test circuit includes a 20:1 step down into a matched 50Ω load