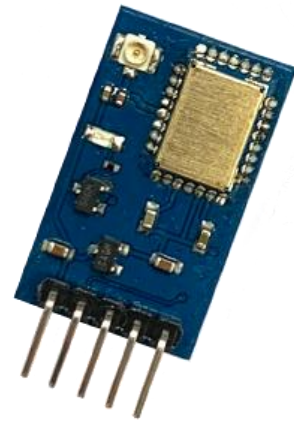


# RYS8833\_Lite

Ultra Low Power 1.8V UART interface GNSS module

Datasheet



27mm\*16mm\*1mm



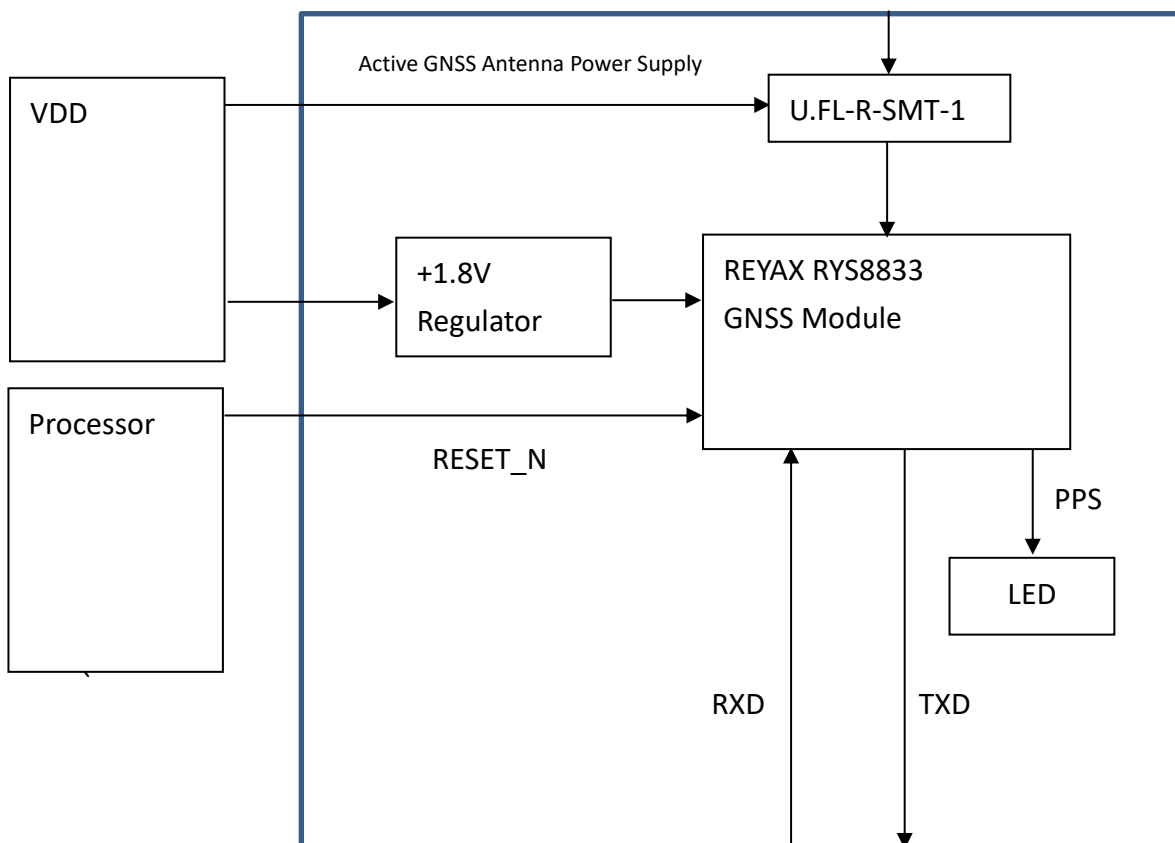
## PRODUCT DESCRIPTION

The RYS8833\_Lite is a multi-GNSS module with high sensitivity.

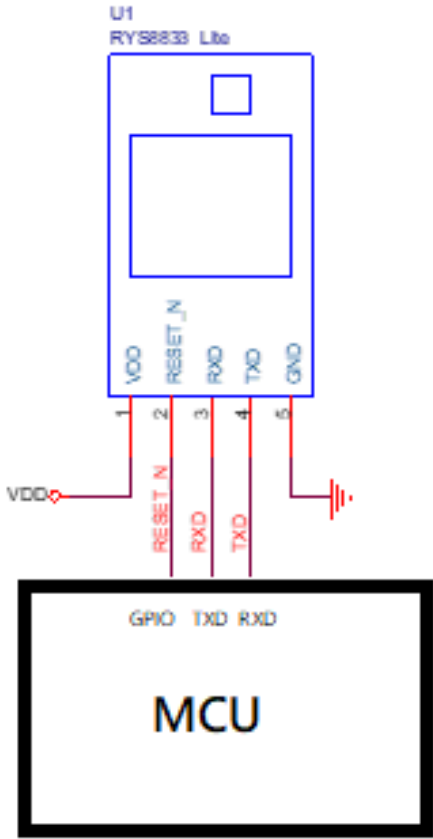
## FEATURES

- REYAX RYS8833 with SONY CXD5605GF Engine.
- A multi-GNSS module for GPS(L1 C/A), GLONASS(L1 OF), SBAS(L1 C/A), QZSS(L1 C/A), BeiDou(B1 TBD) and Galileo(E1 CBOC TBD).
- +1.8V UART Interface.

## BLOCK DIAGRAM

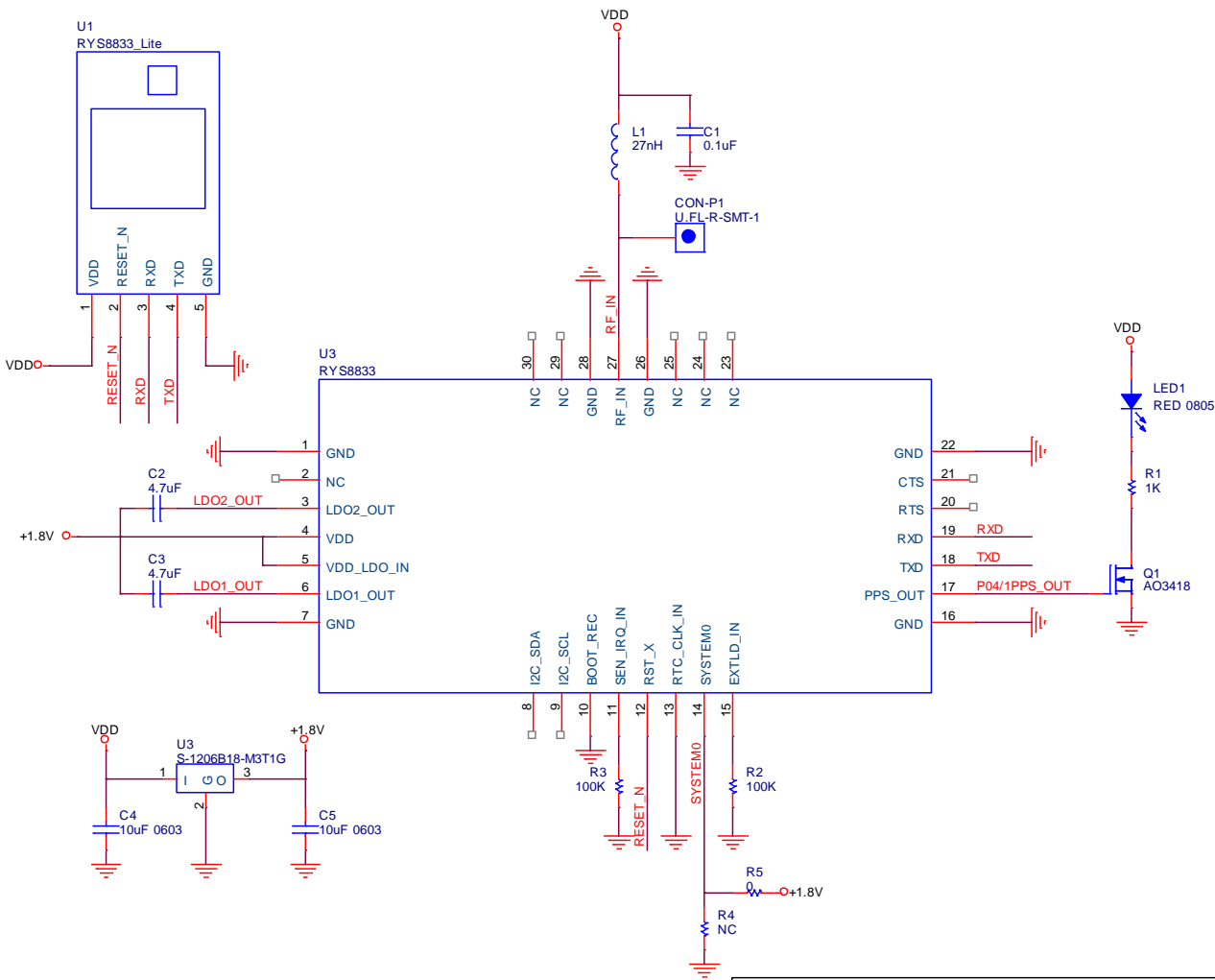


# PIN DESCRIPTION



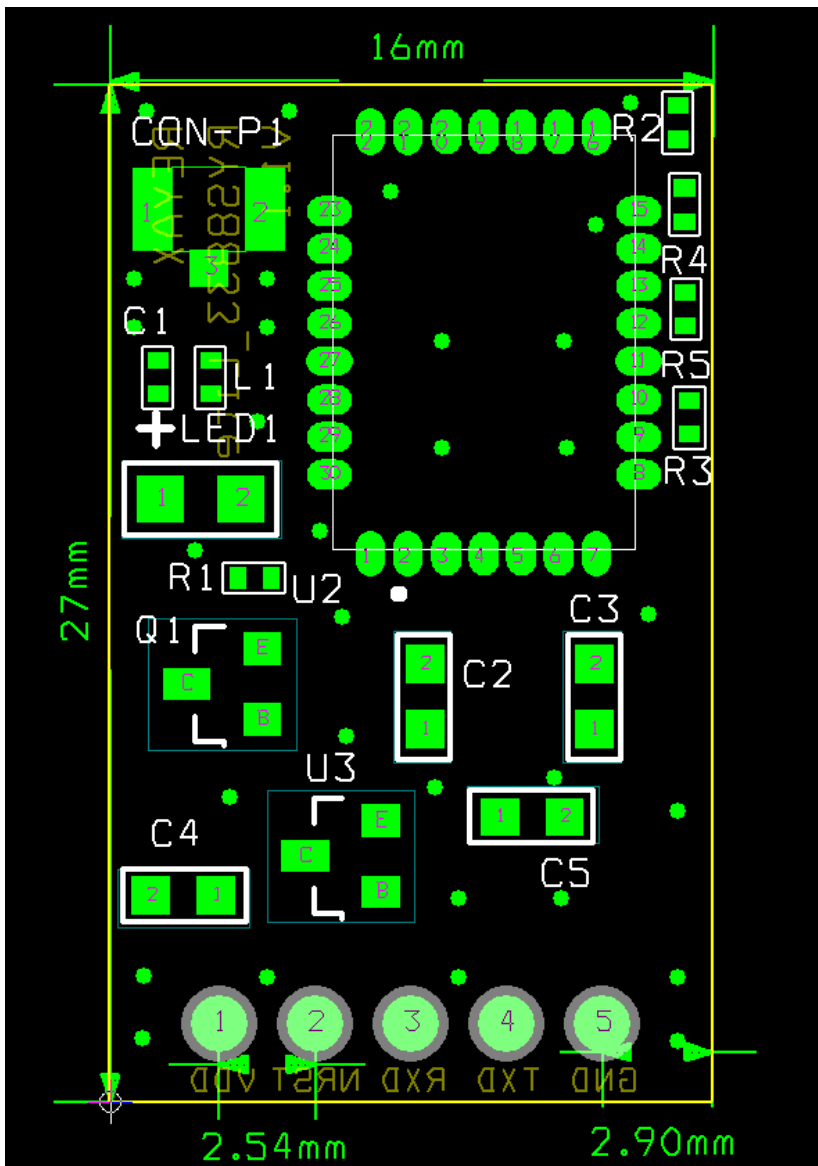
Pin	Name	I/O	Condition
1	VDD	I	Power Supply +3.3V
2	RESET_N	I	Low Reset
3	RXD	I	UART Data Input
4	TXD	O	UART Data Output
5	GND	-	Ground

# APPLICATION SCHEMATIC (UART Interface)



Title		
<b>RYS8833_Lite</b>		
Size	Document Number	Rev
Custom>Doc>		1.1
Date:	Tuesday, September 01, 2020	Sheet 1 of 1

DIMENSIONS



**REYAX**  
TECHNOLOGY CORPORATION, LTD

**Taiwan:** sales@reyax.com  
**China:** sales@reyax.com.cn  
<http://reyax.com>